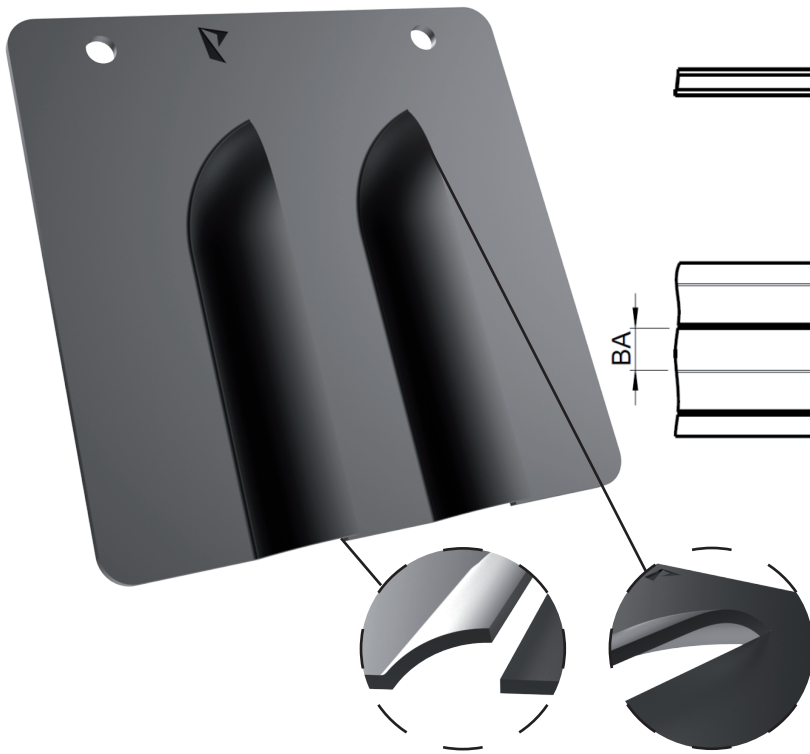
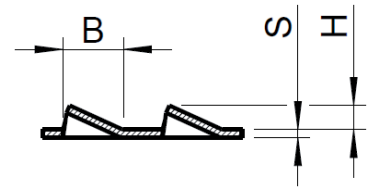


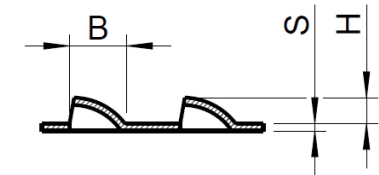
# CONTINUOUS LOUVER TOOL



Shape A:



Shape B:



Tool distance / stroke  $\approx$  5 mm

TRUMPF

THICK TURRET

SALVAGNINI

## BASIC INFORMATION

Material:	
Sheet thickness „s“:	
Machine:	
Size/station:	
Direction of forming:	upform <input type="checkbox"/>
	downform <input type="checkbox"/>
Customer information:	

## TOOL INFORMATION IN MM

H:	
B:	
BA:	
Louver shape:	A <input type="checkbox"/>
	B <input type="checkbox"/>